

Anabelle
BY ELEGANT

Roller Shades

2023 Reference Guide



Table of Contents

Product Information	4
Features & Benefits	5
Shade Types (Roller Shade Terminology & Parts)	6
Clutch (Cord Loop) System	6
Spring Assist.....	6
Elegance (Cordless) System Overview	7
Clutch	8
Brackets.....	8
Open Roll, IM Clutch or Cordless	9
Open Roll, OM Clutch or Cordless	10
Cassette, IM or OM Clutch or Cordless	11
Fascia, IM or OM Clutch or Cordless	12
Open Roll, IM – Motorized with Remote	13
Open Roll, IM – Motorized with Remote	14
Cassette 3’ or 4”, IM/OM – Motorized with Remote.....	15
Fascia 3’ or 4”, IM/OM – Motorized with Remote	16
Motor Sizes and specifications	17
Standard Roll (Off the Back of Tube Toward the Glass)	18
Reverse Roll (Off the Front of Tube Toward the Room).....	18
Shade Information	19
Available Tube Size	19
Certifications	20
Color Coordination.....	21
Opacity and Light Control	21
Fabric Disclaimers	21
Fabric List & Color Coordination Information	22
Light Filtering Fabrics	22
Black Out Fabrics	23
Screen Fabrics 1%	25
Screen Fabrics 3%	26
Screen Fabrics 5%	27

Table of Contents

Screen Fabrics 8%	28
Screen Fabrics 10%	28
Screen Fabrics 0% (BO).....	28
Fabric Max Size Charts by Weight / Deflection	29
General Specifications	34
Shade Gap Information	34
Size Limitations	35
Deductions.....	35
Mounting Depth	36
Top Treatments	37
Top Treatment Colors.....	37
Controls	37
Chain	37
Hem Bars.....	38
Spring Assist.....	38
Extension Poles.....	38
Care and Maintenance	39
Cleaning Your Roller Shade	39
Warranty	40

Product Information

About Anabelle

Where style meets functionality. Discover the perfect harmony of functionality and aesthetics with our brand-new, "Anabelle Roller Shades." Anabelle is designed to elevate your living spaces, offering a seamless blend of contemporary design, cutting-edge industry technology, and effortless operation.

With unparalleled elegance, Anabelle brings sophistication to any room with a wide selection of premium fabrics and patterns that cater to diverse interior styles.



Features & Benefits

- **Quality and Craftsmanship.** Anabelle Roller Shades are custom crafted using the finest materials and undergo rigorous testing to ensure long-lasting durability and performance
- Choose from a wide variety of fabric textures, styles and colors
- **Elegance Lift** is our innovative cordless roller shade system that ensures smooth and quiet operation.
- This eliminates the annoying cords and enhances safety for children and pets. To raise or lower, gently lift or pull the shade by the handle to the desired location. That's it, no additional effort is required
- With superior light control, Anabelle's tension adjustment dial allows you to fine-tune when necessary. With light management at your fingertips, Anabelle allows you to create the perfect ambiance and control glare while maintaining privacy
- Experience enhanced energy savings with energy efficiency that helps insulate the home, keeping it cool in the summer and warm in the winter
- Anabelle provides fast and hassle-free Installation with our tried-and-true mounting systems that ensure a seamless installation process
- **Motorization and Smart Integration.** Anabelle motorized Roller Shades will seamlessly integrate with our companion app, offering convenient voice and app-controlled operation for the ultimate comfort and convenience

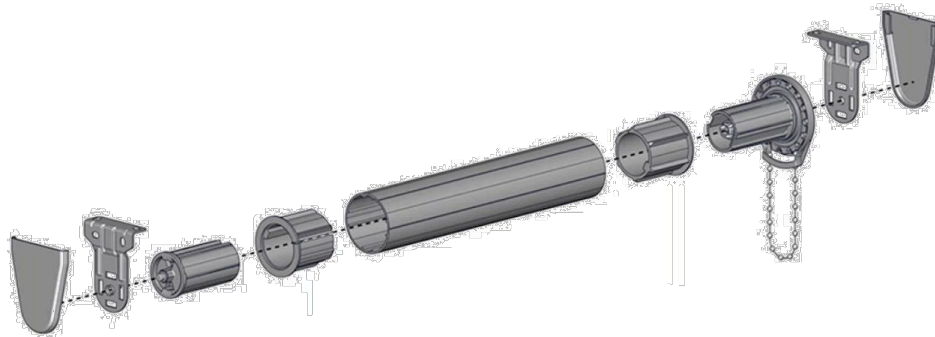
Anabelle promises an exceptional window-covering experience that will transform home and office spaces into stylish havens of comfort and elegance.

Elevate your living spaces today with Anabelle Roller Shades!

Shade Types (Roller Shade Terminology & Parts)

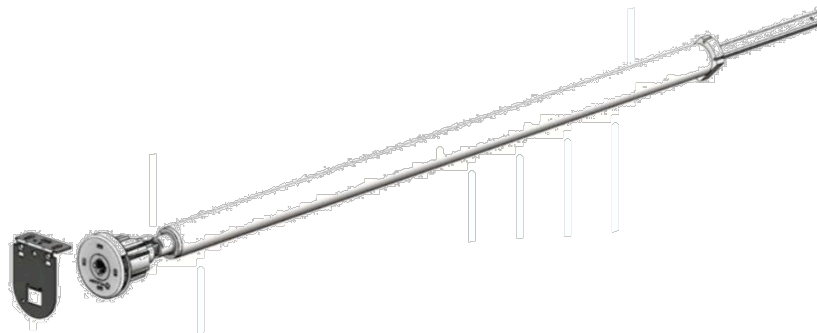
Clutch (Cord Loop) System

- Smooth and reliable operating clutch technology in a sophisticated, rounded profile
- Flexibility in installation with the spring-loaded pin end
- Brackets are the same for both the Idler end and Control end sides



Spring Assist

- Spring assist Boosters are available for larger size shades, with heavier fabrics, that allows for effortless lifting on even the largest shade sizes

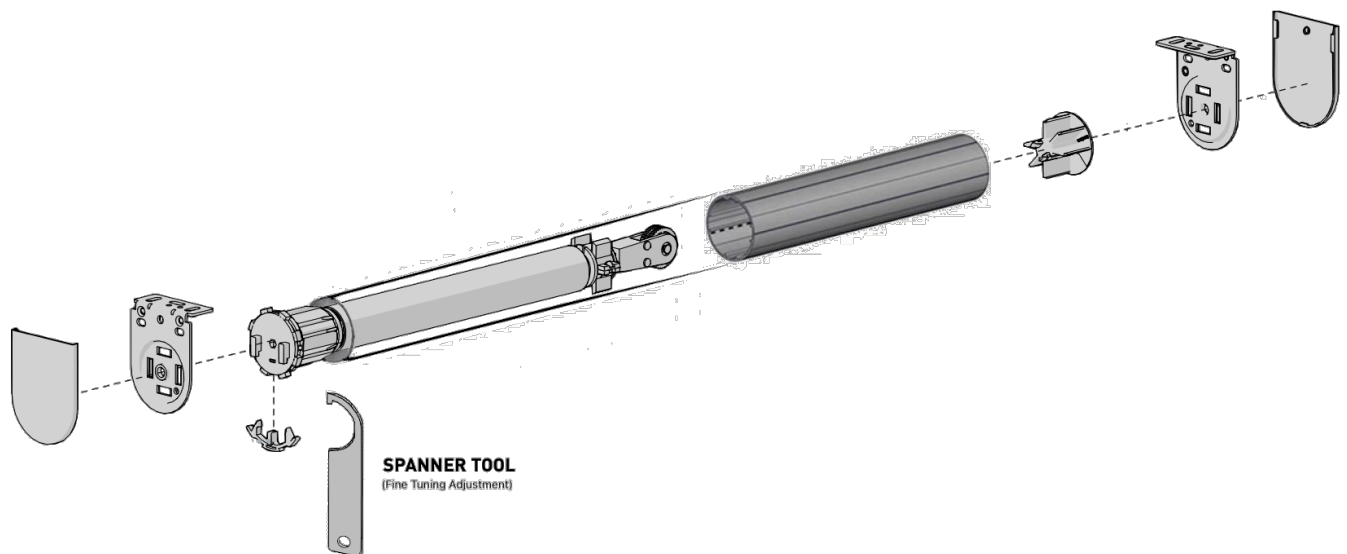


- Spring Assist reduces the pull force on heavy shades to approximately 6 lbs, even on shades weighing up to 30 lbs. Using the Spring assist is suggested at 10 or more lbs

Shade Types (Continued)

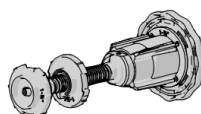
Elegance (Cordless) System Overview

- Innovative and simple, one-piece control mechanism
- A quick and easy to install cord free solution
- Has a responsive tension control adjuster allowing fine tuning of shades after installation



Stop Limiter

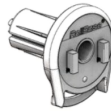
- A universal spring-loaded top stop position limiter
 - Used to prevent shade from rolling past the top/bottom limits



Shade Information (Continued)

Clutch

- One clutch size



SL15

Brackets

- On all Lift Systems, the Brackets are universal for the Left or Right side.



OPEN ROLL (Inside/Outside Mount Installation Bracket)



CASSETTE (Internal Mount Bracket Inside the Cassett)



CASSETTE (Inside/Outside Mount Installation Bracket)



FASCIA (Inside/Outside Mount Installation Bracket)

Cassette and Fascia Colors

- 3" or 4"



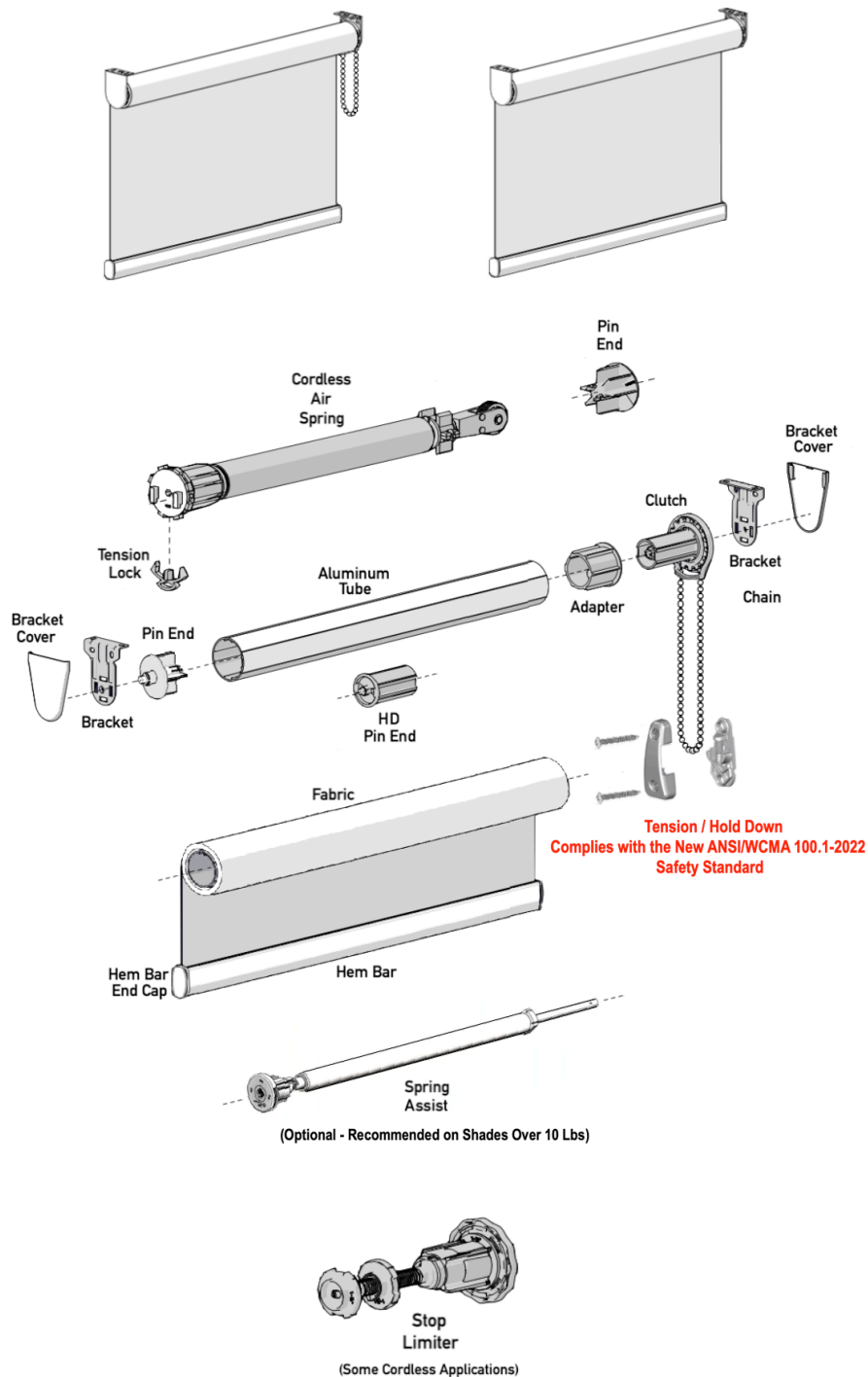
Hem Bar Colors

- Unwrapped



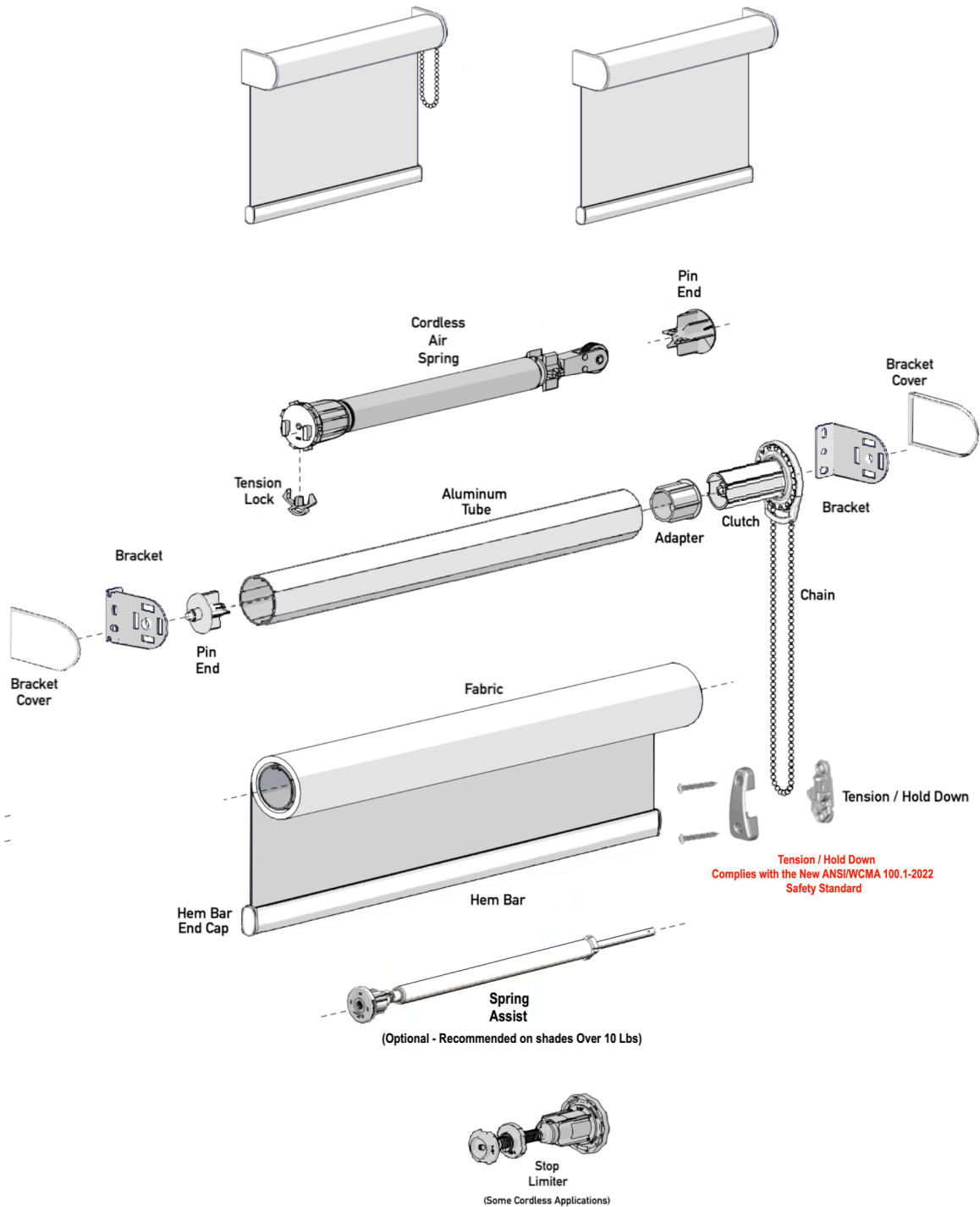
Shade Information (Continued)

Open Roll, IM Clutch or Cordless



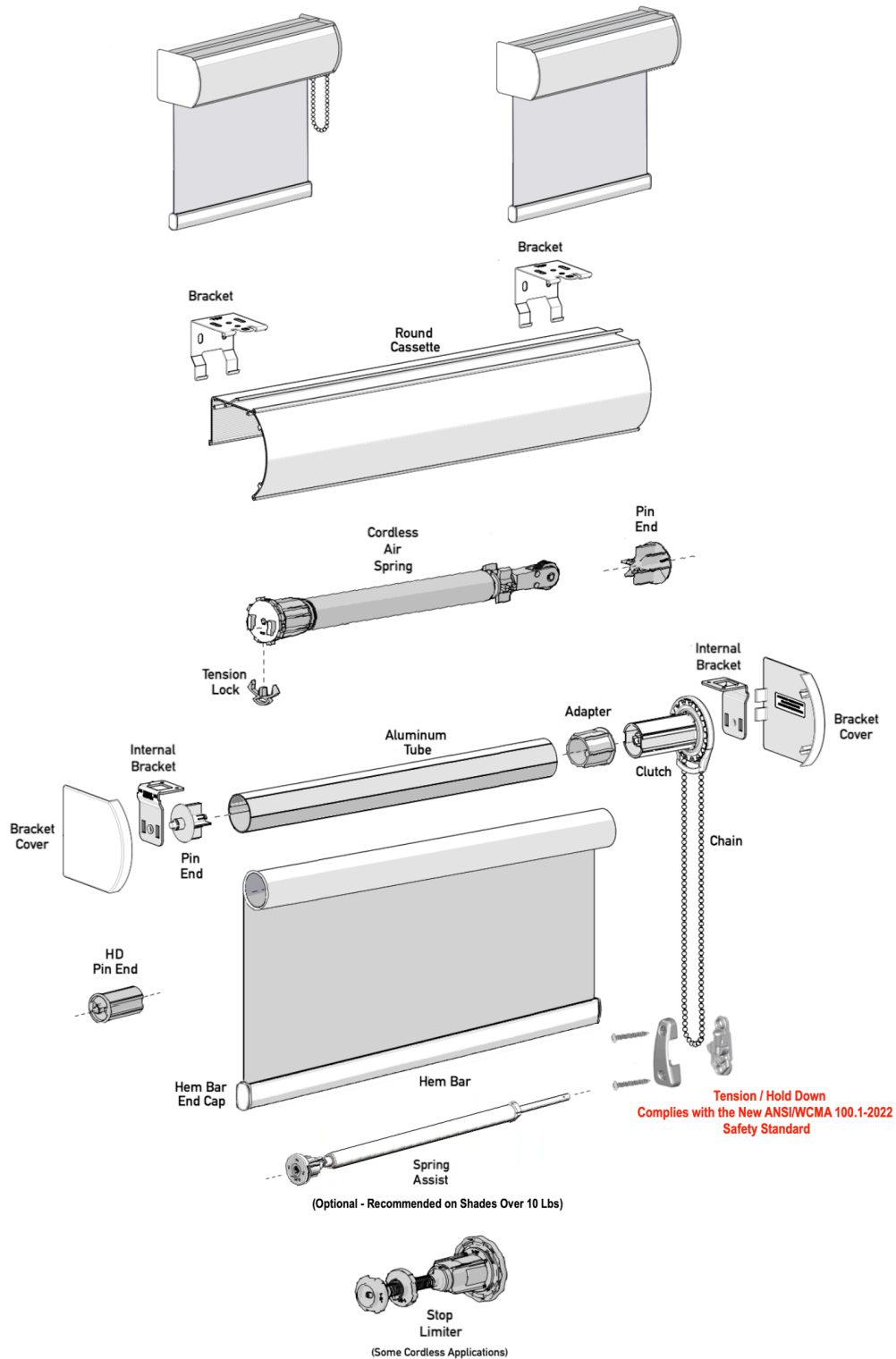
Shade Types (Continued) - Manual

Open Roll, OM Clutch or Cordless



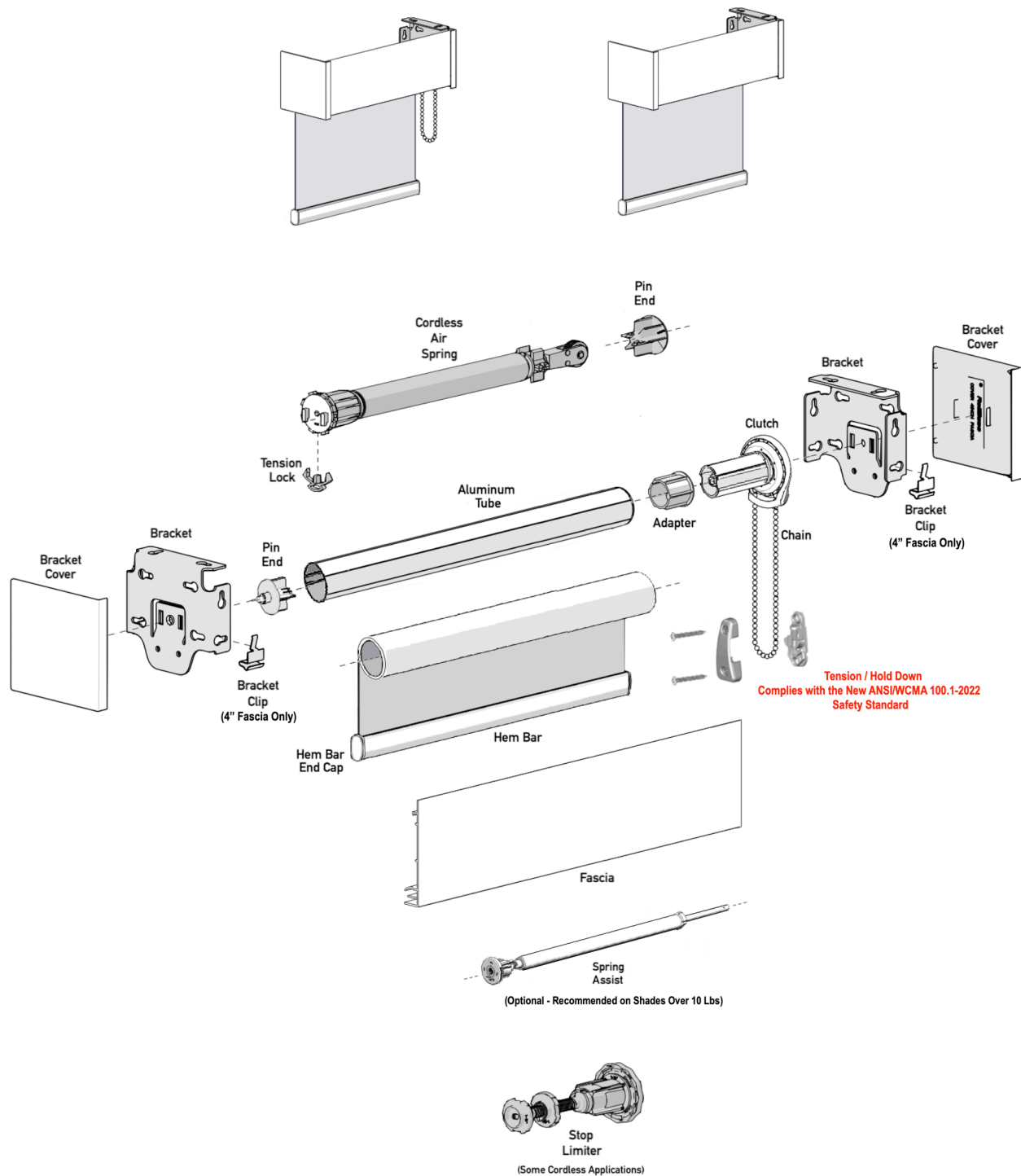
Shade Types (Continued) - Manual

Cassette, IM or OM Clutch or Cordless



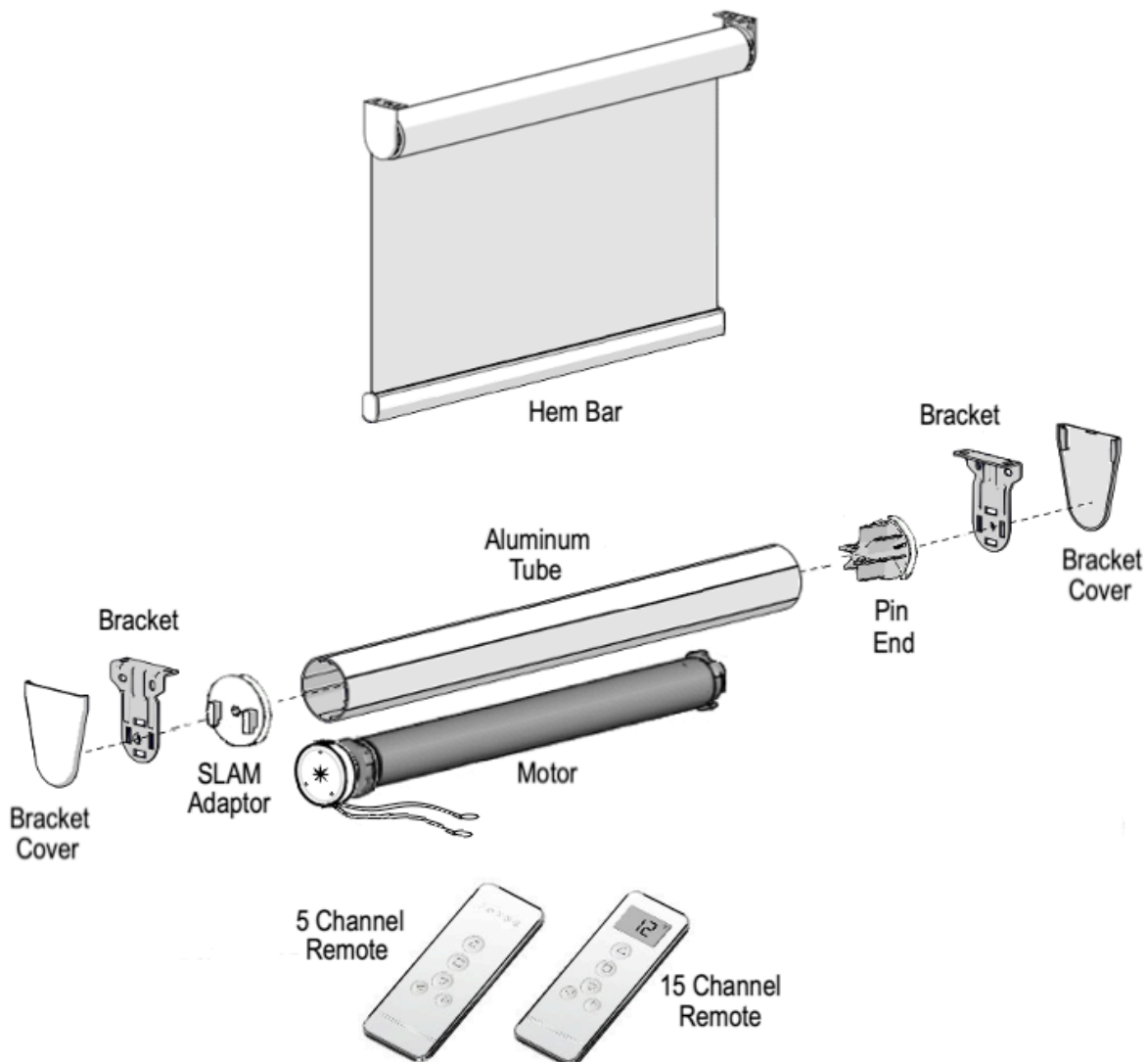
Shade Types (Continued) - Manual

Fascia, IM or OM Clutch or Cordless



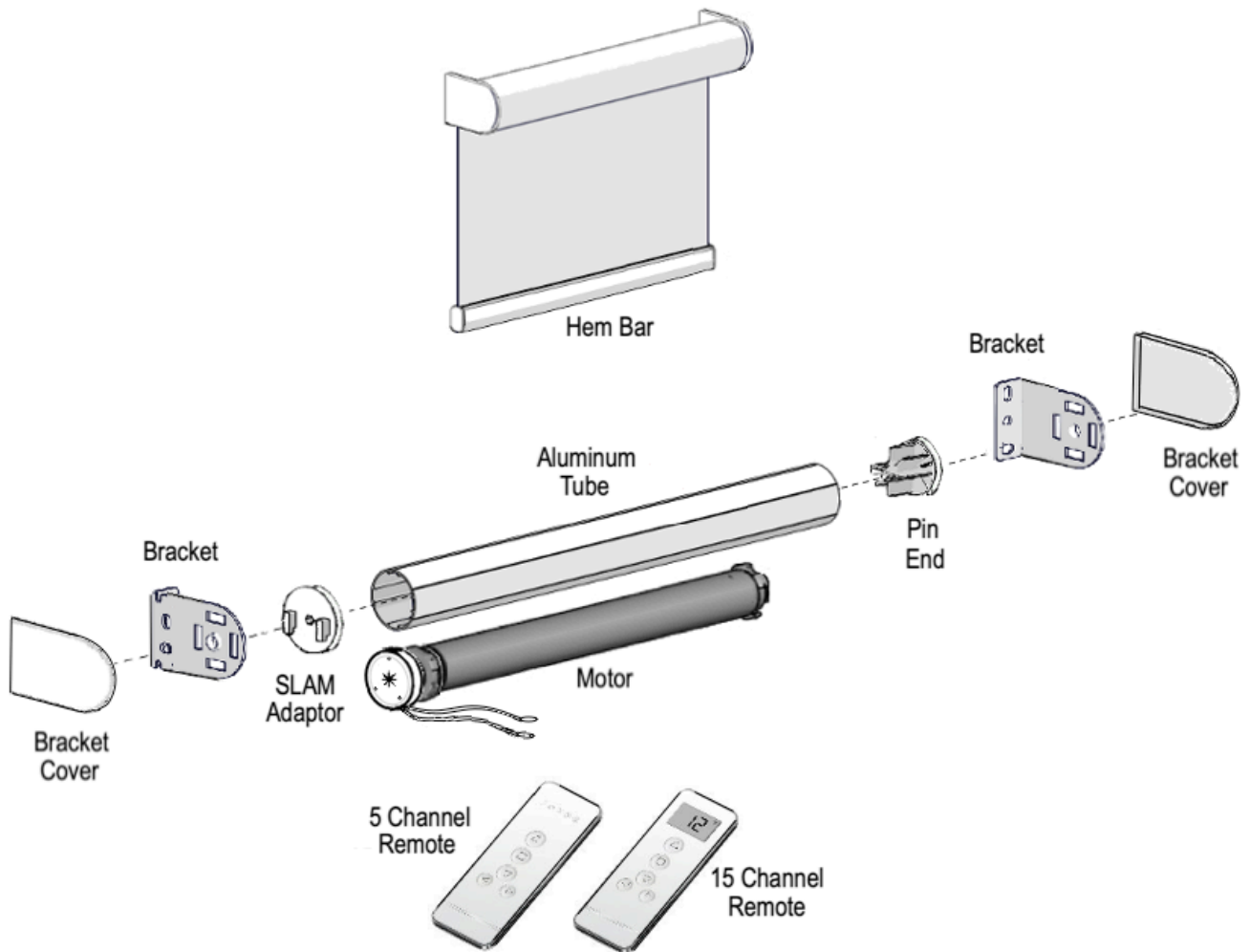
Shade Types (Continued) - Motorized

Open Roll, IM – Motorized with Remote



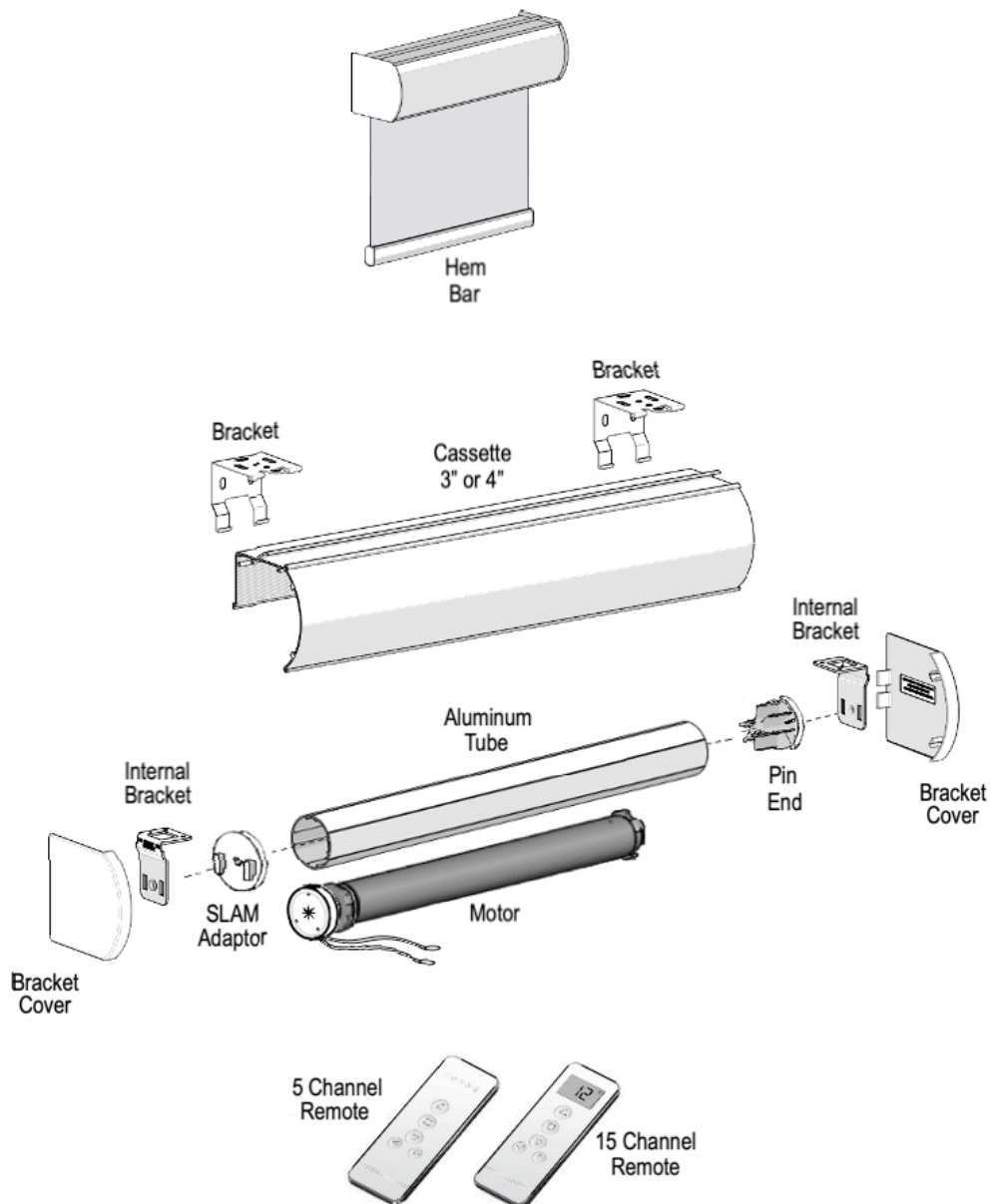
Shade Types (Continued) - Motorized

Open Roll, OM – Motorized with Remote



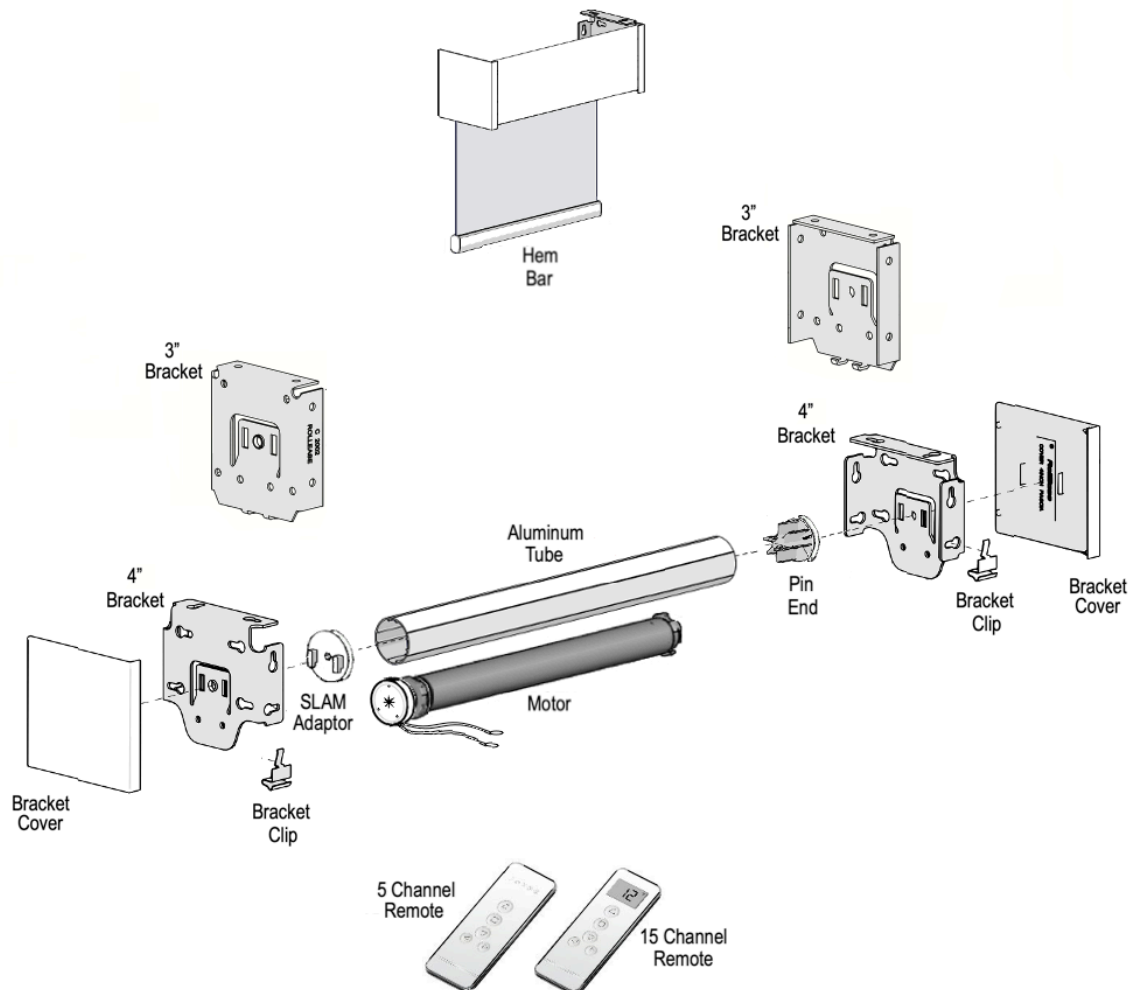
Shade Types (Continued) - Motorized

Cassette 3" or 4", IM/OM – Motorized with Remote



Shade Types (Continued) - Motorized

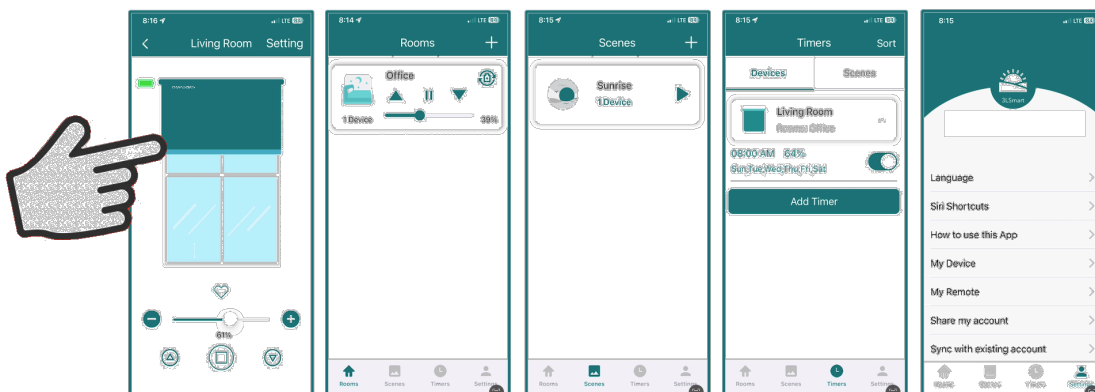
Fascia 3" or 4", IM/OM – Motorized with Remote



Shade Types (Continued) - Motorized

Motor Sizes and specifications

- Smooth operation and reliable functionality, our motors are available in (3) sizes
- Our motors are exceptionally quiet
 - At approximately 35% Decibels during operation
- Our Motors have available charging blocks and cables
 - 5V/2A UL Charge
 - 20AWG 12 Ft Extension Cable
- Our motors have (2) available handheld remotes
 - 5-Channel Remote
 - 15-Channel Remote
- We have available detailed programming instructions that are sent with each order
- You can also download our companion **3L Smart Blinds App** for your phone or tablet that provides Innovative functionality for your motorized shades. Available on the App Store or Google Play. Search keyword **3L Smart** for IOS and Android Versions
 - With easy, touch sensitive graphics, program your favorite settings by room or groups, add “Scenes” and set “Timers”, Control Top and Bottom limits, set motor speed, and more. You can also add Siri voice commands within the app

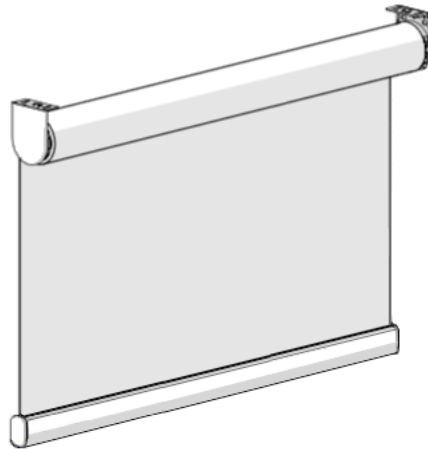


- Integrate with Siri through the **3L Smart Blind App**
Detailed instructions are provided within the App

Shade Types (Continued)

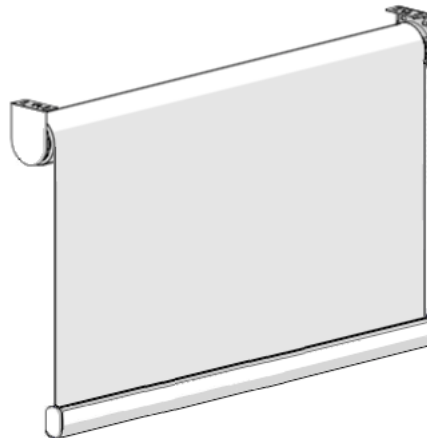
Standard Roll (Off the Back of Tube Toward the Glass)

Standard Roll



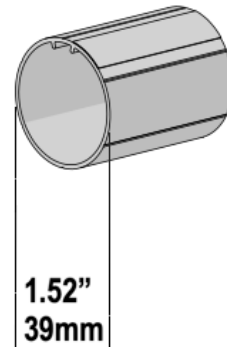
Reverse Roll (Off the Front of Tube Toward the Room)

Reverse Roll



Shade Information

Available Tube Size



1 1/2" Tube

Tubes Size Chart

		Shade Width					Color Key Tube	
		48	60	72	84	96		
Shade Height	48						1.5"	
	72							
	96							

Tube Size is the same for all Fabric/Screen Type

Certifications

Certifications

- Safe for Children Lift Systems, both **Elegance Lift & Clutch System with Tensioner** are **Compliant with the new ANSI/WCMA A100.1-2022 which goes into effect June 1, 2024**
- **Elegance Lift** is Certified WCMA Best for kids
- Choose from our fabrics that are **GREENGUARD** Certified
- Also available are the latest light filtering, and room darkening, fabrics/screens which are “fire safe” NFPA 701 certified for use in residential & commercial applications



Fabric & Information

Color Coordination

- Each fabric has a suggested coordination of hardware colors, please specify in your order the top treatment color selection. See Pages 22-28 for Cassette/Fascia suggested color coordination
- Hem Bars will be coordinated with the top treatment color by default, unless an alternate color is specified
- End Caps on fabric-wrapped Hem Bars will automatically be coordinated with the top treatment color that is selected
- Only Metal Nickel Chain is currently available

Opacity and Light Control

SEMI OPAQUE

Light Filtering:

A wide range of light diffusion from bright to dim.

OPAQUE

Room Darkening:

Blocks a significant amount of incoming light and provides maximum privacy. A perfect combination of room-darkening and privacy control.

Fabric Disclaimers

Fabric appearance can vary based on indoor light intensity. Due to variations in fabric and dye lots, colors may vary slightly. It is highly recommended that all shades for the same room location to be ordered at the same time to help ensure color consistency

Fabric List & Color Coordination Information

Light Filtering Fabrics

Collection Name	Color Code	Color Name	Material	Cassette/Fascia Suggested Color Coordination	Max Limits
Bordeaux LF	BD-10101	White	Polyester	White, Silver, Black	84x96 90x84 96x42
Bordeaux LF	BD-10110	Beige	Polyester	Off White	
Bordeaux LF	BD-10115	Gray	Polyester	Silver, Black	
Bordeaux LF	BD-10129	Shadow	Polyester	Silver, Black	
La Rochelle LF	LR-10101	White	Polyester	White, Silver, Black	84x96 90x78 96x42
La Rochelle LF	LR-10110	Beige	Polyester	Off White	
La Rochelle LF	LR-10111	Taupe	Polyester	Off White	
Marseille LF	MS-10101	White	Polyester	White, Silver, Black	90x96 96x60
Marseille LF	MS-10115	Gray	Polyester	Silver, Black	
Marseille LF	MS-10118	Pewter	Polyester	Silver, Black	
Versailles LF	VS-10101	White	Polyester	White, Silver, Black	90x96 96x54
Versailles LF	VS-10109	Cream	Polyester	Off White	
Versailles LF	VS-10115	Gray	Polyester	Silver, Black	



Fabric List & Information

Black Out Fabrics

Collection Name	Color Code	Color Name	Material	Cassette/Fascia Suggested Color Coordination	Max Limits
Bordeaux BO	BD-20001	White	Polyester	White, Silver, Black	78x96 84x84 90x54 96x30
Bordeaux BO	BD-20010	Beige	Polyester	Off White	
Bordeaux BO	BD-20015	Gray	Polyester	Silver, Black	
Bordeaux BO	BD-20029	Shadow	Polyester	Silver, Black	
Chambéry BO	CB-20002	Nova	Polyester	White, Silver, Black	78x96 84x66 90x42 96x24
Chambéry BO	CB-20011	Taupe	Polyester	Off White	
Chambéry BO	CB-20013	Linen	Polyester	White, Silver, Black	
Chambéry BO	CB-20015	Gray	Polyester	Silver, Black	
Chambéry BO	CB-20030	Denim	Polyester	White, Silver, Black	
Chelles BO	CH-20001	White	Polyester	White, Silver, Black	84x96 90x60 96x36
Chelles BO	CH-20012	Cream	Polyester	Off White	
Chelles BO	CH-20014	Sundew	Polyester	Off White	
Chelles BO	CH-20017	Mystic Gray	Polyester	Silver, Black	
Chelles BO	CH-20022	Penny	Polyester	Black	
Chelles BO	CH-20028	Blackore	Polyester	Silver, Black	
Continues to next page					



Fabric List & Information

Black Out Fabrics (cont.)

Collection Name	Color Code	Color Name	Material	Cassette/Fascia Suggested Color Coordination	Max Limits
La Rochelle BO	LR-20001	White	Polyester	White, Silver, Black	78x96 84x66 90x42 96x24
La Rochelle BO	LR-20010	Beige	Polyester	Off White	
La Rochelle BO	LR-20011	Taupe	Polyester	Off White	
Marseille BO	MS-20001	White	Polyester	White, Silver, Black	78x96 84x90 90x54 96x30
Marseille BO	MS-20015	Gray	Polyester	Silver, Black	
Marseille BO	MS-20018	Pewter	Polyester	Silver, Black	
Versailles BO	VS-20001	White	Polyester	White, Silver, Black	78x96 84x78 90x48 96x24
Versailles BO	VS-20009	Cream	Polyester	Off White	
Versailles BO	VS-20015	Gray	Polyester	Silver, Black	



Fabric List & Information

Screen Fabrics 1%

Collection Name	Color Code	Color Name	Material	Cassette/Fascia Suggested Color Coordination	Max Limits
Orléans <1%	OL-30055	White/White	Polyester/PVC	White, Silver, Black	72x96 78x66 84x42 90x30 96x12
Orléans <1%	OL-30056	White/Linen	Polyester/PVC	White, Off White	
Orléans <1%	OL-30057	White/Gray	Polyester/PVC	White, Silver, Black	
Orléans <1%	OL-30070	Gray/Gray	Polyester/PVC	Silver, Black	
Orléans <1%	OL-30075	Black/Black	Polyester/PVC	Silver, Black	
Orléans <1%	OL-30076	Black/Gray	Polyester/PVC	Silver, Black	
Orléans <1%	OL-30077	Black/Bronze	Polyester/PVC	Black	
Lorient 1%	LT-30105	White/White	Polyester/PVC	White, Silver, Black	72x96 78x78 84x54 90x30 96x18
Lorient 1%	LT-30106	White/Linen	Polyester/PVC	White	
Lorient 1%	LT-30107	White/Gray	Polyester/PVC	Silver, Black	
Lorient 1%	LT-30108	White/Black	Polyester/PVC	White, Silver, Black	
Orléans 1%	OL-30105	White/White	Polyester/PVC	Off White	72x96 78x90 84x60 90x36 96x18
Orléans 1%	OL-30106	White/Linen	Polyester/PVC	Silver, Black	
Orléans 1%	OL-30107	White/Gray	Polyester/PVC	White, Silver, Black	
Orléans 1%	OL-30120	Gray/Gray	Polyester/PVC	Silver, Black	
Orléans 1%	OL-30125	Black/Black	Polyester/PVC	Silver, Black	
Orléans 1%	OL-30126	Black/Gray	Polyester/PVC	Silver, Black	
Orléans 1%	OL-30127	Black/Bronze	Polyester/PVC	Black	



Fabric List & Information

Screen Fabrics 3%

Collection Name	Color Code	Color Name	Material	Cassette/Fascia Suggested Color Coordination	Max Limits
Le Mans 3%	LM-30301	White	Polyester/PVC	White, Silver, Black	78x96 84x66 90x42 96x24
Le Mans 3%	LM-30313	Linen	Polyester/PVC	White, Off White	
Le Mans 3%	LM-30315	Gray	Polyester/PVC	White, Silver, Black	
Le Mans 3%	LM-30324	Black	Polyester/PVC	Silver, Black	
Orléans 3%	OL-30305	White/White	Polyester/PVC	White, Silver, Black	78x96 84x66 90x42 96x18
Orléans 3%	OL-30306	White/Linen	Polyester/PVC	White	
Orléans 3%	OL-30307	White/Gray	Polyester/PVC	White, Silver, Black	
Orléans 3%	OL-30320	Gray/Gray	Polyester/PVC	White, Silver, Black	
Orléans 3%	OL-30325	Black/Black	Polyester/PVC	Silver, Black	
Orléans 3%	OL-30326	Black/Gray	Polyester/PVC	Silver, Black	
Orléans 3%	OL-30327	Black/Bronze	Polyester/PVC	Black	



Fabric List & Information

Screen Fabrics 5%

Collection Name	Color Code	Color Name	Material	Cassette/Fascia Suggested Color Coordination	Max Limits
Orléans 5%	OL-30503	Bright White	Polyester/PVC	White, Silver, Black	78x96 84x66 90x42 96x24
Orléans 5%	OL-30505	White/White	Polyester/PVC	White, Silver, Black	
Orléans 5%	OL-30506	White/Linen	Polyester/PVC	White, Off White	
Orléans 5%	OL-30507	White/Gray	Polyester/PVC	White, Silver, Black	
Orléans 5%	OL-30512	Tan/Tan	Polyester/PVC	Off White	
Orléans 5%	OL-30520	Gray/Gray	Polyester/PVC	White, Silver, Black	
Orléans 5%	OL-30525	Black/Black	Polyester/PVC	Silver, Black	
Orléans 5%	OL-30526	Black/Gray	Polyester/PVC	Silver, Black	
Orléans 5%	OL-30527	Black/Bronze	Polyester/PVC	Black	
Saint Denis 5%	SD-30510	Beige	Polyester/PVC	Off White	78x96 84x66 90x42 96x24
Saint Denis 5%	SD-30516	Light Gray	Polyester/PVC	White, Silver, Black	
Saint Denis 5%	SD-30519	Dark Gray	Polyester/PVC	White, Silver, Black	
Saint Denis 5%	SD-30521	Brown	Polyester/PVC	Off White	
Saint Denis 5%	SD-30523	Dark Brown	Polyester/PVC	Off White	
Saint Denis 5%	SD-30524	Black	Polyester/PVC	Silver, Black	



Fabric List & Information

Screen Fabrics 8%

Collection Name	Color Code	Color Name	Material	Cassette/Fascia Suggested Color Coordination	Max Limits
Montpellier 8%	MP-30801	White	Polyester/PVC	White, Silver, Black	78x96 84x66 90x42 96x24
Montpellier 8%	MP-30813	Linen	Polyester/PVC	White, Off White	
Montpellier 8%	MP-30824	Black	Polyester/PVC	Silver, Black	

Screen Fabrics 10%

Collection Name	Color Code	Color Name	Material	Cassette/Fascia Suggested Color Coordination	Max Limits
Toulouse 10%	TL-31001	White	Polyester/PVC	White, Silver, Black	78x96 84x60 90x36 96x18
Toulouse 10%	TL-31013	Linen	Polyester/PVC	White, Off White	
Toulouse 10%	TL-31019	Dark Gray	Polyester/PVC	Silver, Black	

Screen Fabrics 0% (BO)

Collection Name	Color Code	Color Name	Material	Cassette/Fascia Suggested Color Coordination	Max Limits
Orléans 0%	OL-30005	White/White	Polyester/PVC	White, Silver, Black	72x96 78x78 84x48 90x30 96x18
Orléans 0%	OL-30006	White/Linen	Polyester/PVC	White, Off White	
Orléans 0%	OL-30007	White/Gray	Polyester/PVC	White, Silver, Black	



Fabric Max Size Charts by Weight / Deflection

MARSEILLE LIGHT FILTERING (4.86 Oz/SqYd)

	6	12	18	24	30	36	42	48	54	60	66	72	78	84	90	96
6																
12																
18																
24																
30																
36																
42																
48																
54																
60																
66																
72																
78																
84																
90																
96																

MORRELE BLACK OUT (9.43 Oz/SqYd)

	6	12	18	24	30	36	42	48	54	60	66	72	78	84	90	96
6																
12																
18																
24																
30																
36																
42																
48																
54																
60																
66																
72																
78																
84																
90																
96																

CHELLES BLACK OUT (8.54 Oz/SqYd)

	6	12	18	24	30	36	42	48	54	60	66	72	78	84	90	96
6																
12																
18																
24																
30																
36																
42																
48																
54																
60																
66																
72																
78																
84																
90																
96																

LA ROCHELLE LIGHT FILTERING (6.92 Oz/SqYd)

	6	12	18	24	30	36	42	48	54	60	66	72	78	84	90	96
6																
12																
18																
24																
30																
36																
42																
48																
54																
60																
66																
72																
78																
84																
90																
96																

Fabric Max Size Charts by Weight / Deflection

LA ROCHELLE BLACK OUT (12.52 Oz/SqYd)

	6	12	18	24	30	36	42	48	54	60	66	72	78	84	90	96
6																
12																
18																
24																
30																
36																
42																
48																
54									AVAILABLE							
60																
66																
72																
78																
84																
90																
96																NOT AVAILABLE

BORDEAUX LIGHT FILTERING (6.48 Oz/SqYd)

	6	12	18	24	30	36	42	48	54	60	66	72	78	84	90	96
6																
12																
18																
24																
30																
36																
42																
48																
54									AVAILABLE							
60																
66																
72																
78																
84																
90																
96																NOT AVAILABLE

BORDEAUX BLACKOUT (9.72 Oz/SqYd)

	6	12	18	24	30	36	42	48	54	60	66	72	78	84	90	96
6																
12																
18																
24																
30																
36																
42																
48																
54									AVAILABLE							
60																
66																
72																
78																
84																
90																
96																NOT AVAILABLE

VERSAILLES LIGHT FILTERING (5.3 Oz/SqYd)

	6	12	18	24	30	36	42	48	54	60	66	72	78	84	90	96
6																
12																
18																
24																
30																
36																
42																
48																
54									AVAILABLE							
60																
66																
72																
78																
84																
90																
96																NOT AVAILABLE

Fabric Max Size Charts by Weight / Deflection

VERSAILLES BLACKOUT (10.9 Oz/SqYd)

	6	12	18	24	30	36	42	48	54	60	66	72	78	84	90	96
6																
12																
18																
24																
30																
36																
42																
48																
54																
60																
66																
72																
78																
84																
90																
96																

CHAMBREY BLACKOUT (12.61 Oz/SqYd)

	6	12	18	24	30	36	42	48	54	60	66	72	78	84	90	96
6																
12																
18																
24																
30																
36																
42																
48																
54																
60																
66																
72																
78																
84																
90																
96																

ORLEANS <1% (17.99 Oz/SqYd)

	6	12	18	24	30	36	42	48	54	60	66	72	78	84	90	96
6																
12																
18																
24																
30																
36																
42																
48																
54																
60																
66																
72																
78																
84																
90																
96																

ORLEANS 1% (13.84 Oz/SqYd)

	6	12	18	24	30	36	42	48	54	60	66	72	78	84	90	96
6																
12																
18																
24																
30																
36																
42																
48																
54																
60																
66																
72																
78																
84																
90																
96																

Fabric Max Size Charts by Weight / Deflection

ORLEANS 0% (16.2 Oz/SqYd)

	6	12	18	24	30	36	42	48	54	60	66	72	78	84	90	96
6																
12																
18																
24																
30																
36																
42																
48																
54									AVAILABLE							
60																
66																
72																
78																
84																
90																
96																

NOT AVAILABLE

LORIENT 1% (15.46 Oz/SqYd)

	6	12	18	24	30	36	42	48	54	60	66	72	78	84	90	96
6																
12																
18																
24																
30																
36																
42																
48																
54									AVAILABLE							
60																
66																
72																
78																
84																
90																
96																

NOT AVAILABLE

ORLEANS 3% (12.96 Oz/SqYd)

	6	12	18	24	30	36	42	48	54	60	66	72	78	84	90	96
6																
12																
18																
24																
30																
36																
42																
48																
54									AVAILABLE							
60																
66																
72																
78																
84																
90																
96																

NOT AVAILABLE

ORLEANS 5% (12.08 Oz/SqYd)

	6	12	18	24	30	36	42	48	54	60	66	72	78	84	90	96
6																
12																
18																
24																
30																
36																
42																
48																
54									AVAILABLE							
60																
66																
72																
78																
84																
90																
96																

NOT AVAILABLE

Fabric Max Size Charts by Weight / Deflection

LEMANS 3% (12.87 Oz/SqYd)

	6	12	18	24	30	36	42	48	54	60	66	72	78	84	90	96
6																
12																
18																
24																
30																
36																
42																
48																
54								AVAILABLE								
60																
66																
72																
78																
84																
90																
96																

ST DENIS 5%/MONTPELLIER 8% (12.61 Oz/SqYd)

	6	12	18	24	30	36	42	48	54	60	66	72	78	84	90	96
6																
12																
18																
24																
30																
36																
42																
48																
54								AVAILABLE								
60																
66																
72																
78																
84																
90																
96																

TOULOUSE 10% (13.31 Oz/SqYd)

	6	12	18	24	30	36	42	48	54	60	66	72	78	84	90	96
6																
12																
18																
24																
30																
36																
42																
48																
54								AVAILABLE								
60																
66																
72																
78																
84																
90																
96																

General Specifications

Shade Gap Information

Control	Mount	Control	Left	Right
		Location	Gap	Gap
Clutch	IM	Right	11/16"	3/4"
Clutch	IM	Left	3/4"	11/16"
Clutch	OM	Right	5/8"	11/16"
Clutch	OM	Left	11/16"	5/8"
Cordless	IM	Right	11/16"	11/16"
Cordless	OM	Right	5/8"	5/8"
Motorized	IM	Right	9/16"	13/16"
Motorized	OM	Right	1/2"	3/4"

General Specifications (Continued)

Size Limitations

Size Considerations	Clutch	Cordless	Motorized
Min Width	10"	16"	20"
Max Width	96"	96"	96"
Min Height	12"	18"	12"
Max Height	96"	96"	96"

Deductions

Inside Mount:

Shade Width = Ordered Width - 1/8"

Shade Height = Ordered Height

Outside Mount:

Shade Width = Ordered Width

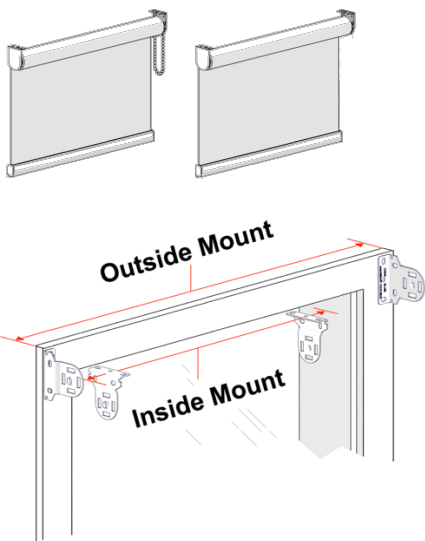
Shade Height = Ordered Height

General Specifications (Continued)

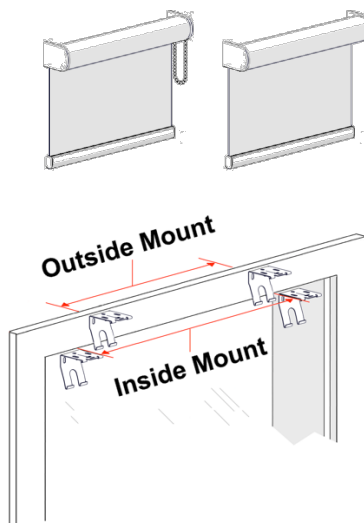
Mounting Depth

Shade Type (Clutch, Cordless, Motorized)	Inside Mount	Outside Mount
Open Roll	1 3/4"	1 1/4"
Cassette	3 1/4"	2 1/2"
Fascia	2 3/4"	2 3/4"

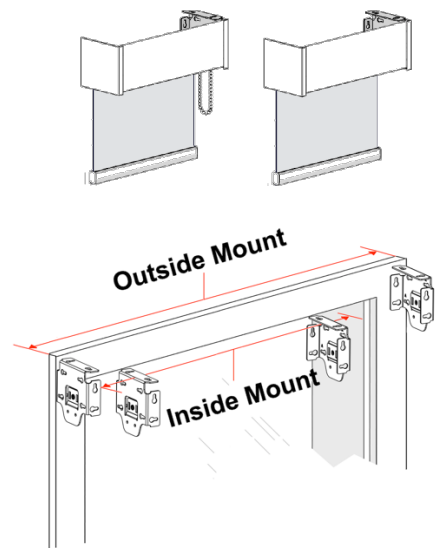
Page #8 Open Roll
IM or OM Clutch, Cordless, Motor



Page #10 Cassette
IM or OM Clutch, Cordless, Motor



Page #11 Fascia
IM or OM Clutch, Cordless, Motor



Genera Specifications (Continued)

Top Treatments

- Open Roll
- 3" Curved Cassette
- 3" Curved Cassette with fabric insert
- 4" Curved Cassette
- 4" Curved Cassette with fabric insert
- 3" Flat Fascia
- 4" Flat Fascia

Top Treatment Colors

- White
- Off White
- Silver
- Black

Controls

- Clutch Shade
 - Chain can be located on the Right or Left
 - Default Chain Length is $\frac{3}{4}$ of the submitted height
 - Chain Length Override available if a specific length is needed
 - Chain Length can be no less than $\frac{1}{2}$ " of the submitted height and no more than 150"
- Cordless Shade
 - No Left or Right Location, Operate Shade Manually by Hand

Chain

- Chain Type
 - Metal (Nickel)

Genera Specifications (Continued)

Hem Bars

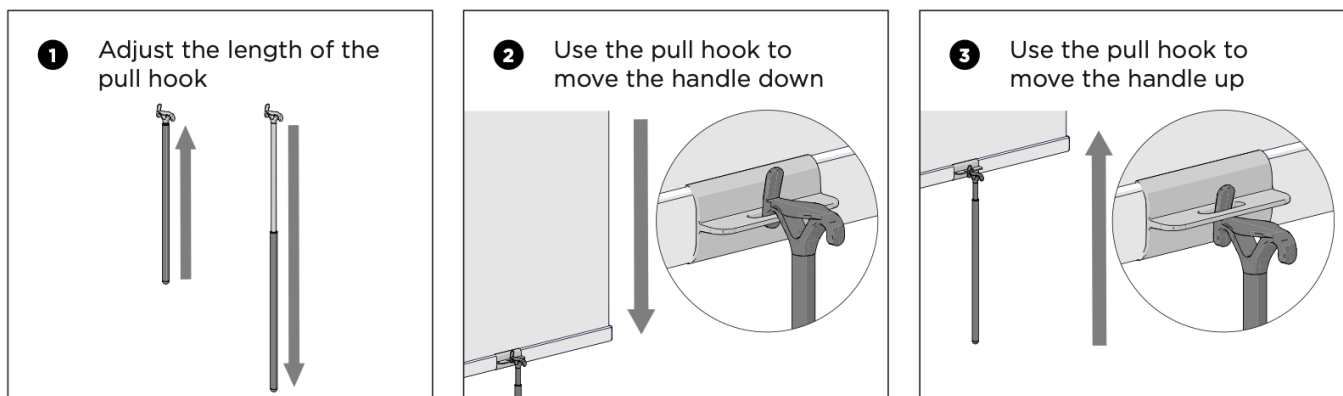
- Unwrapped Hem Bar
 - Colors: White, Silver, & Black
 - Automatically coordinated with top treatment color selected
- Fabric Wrapped Hem Bar
 - Fabric Wrapped on Face of Hem Bar
 - End Caps coordinated with top treatment color selected

Spring Assist

- Spring Assists are available and recommended on larger/heavier shades.
 - Provides easier control of larger/heavier shades, see page #6

Extension Poles

- White Extension Poles 2FT/4FT are available for shades that are too tall to be operated from ground level



Care and Maintenance

Cleaning Your Roller Shade

Routine cleaning will help maintain the beauty of your shade.

Proper ways to clean Roller Shades:

- Gently use a handheld vacuum to remove debris
- Gently use a handheld duster to remove any light dust
- Spot Clean by using a soft cloth or moistened sponge
Blot gently to avoid creasing or damaging the fabric

Note: Rubbing to clean can damage the fabric, and **DO NOT** iron roller shade fabrics.

Warranty

The Best Warranty in the industry helps to cover you on any unforeseeable issues. Once the shades are installed in the window (properly) our warranty protects the product from any issues, **yes any issues...**

Lets say it again, **ANY ISSUES!!!**

Pets, kids, and adults that act like kids, it is covered! No Questions Asked! We want everyone to know we have the best product in the industry and that we stand behind it 100%.

*One instance per order, does not cover "Acts of God"

